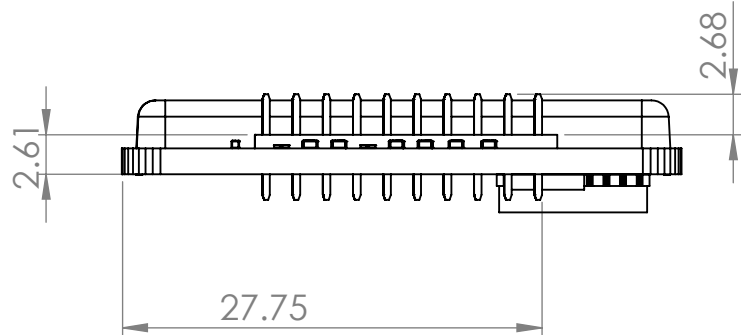
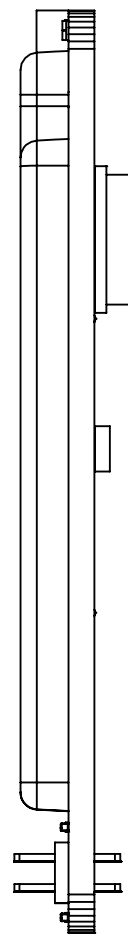
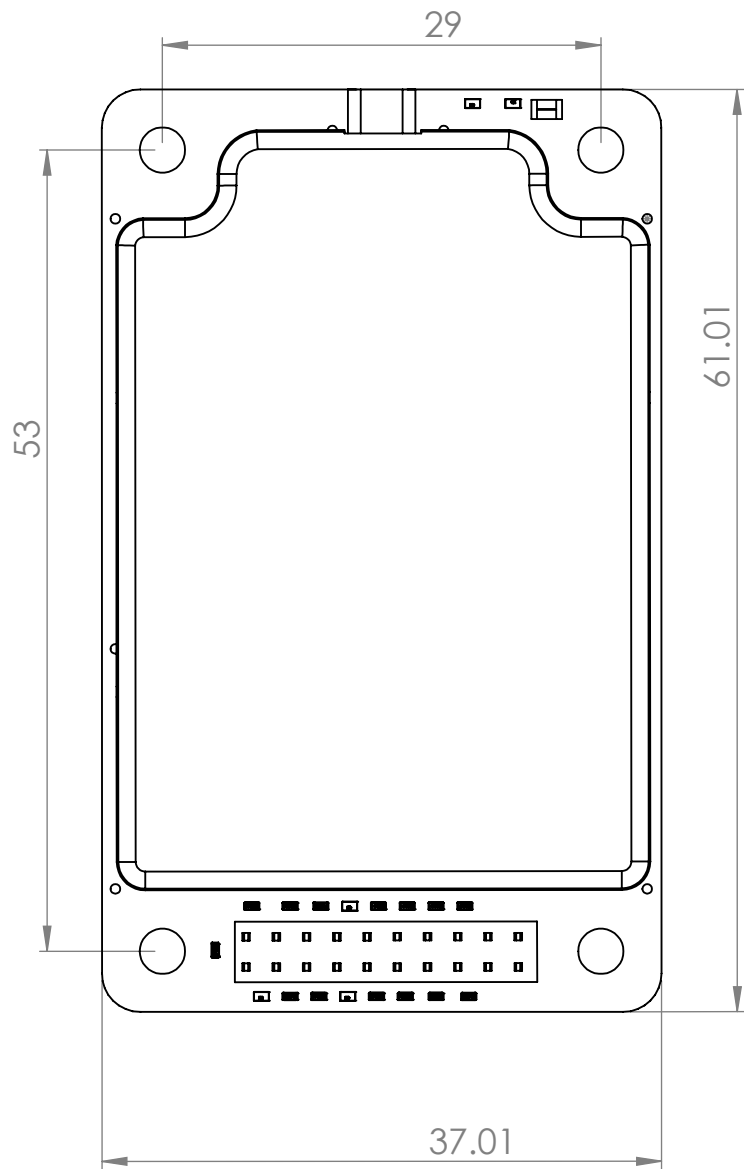
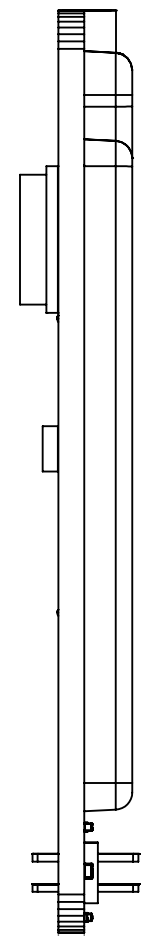
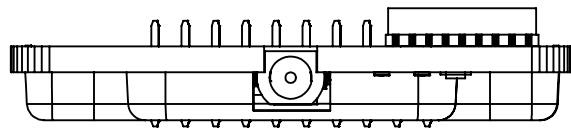
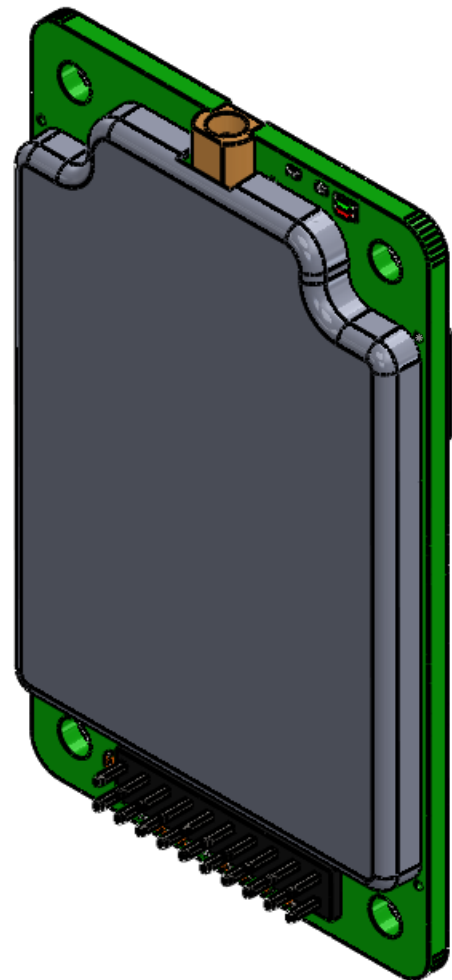


REVISIONS			
REV.	DESCRIPTION	DATE	APPROVED
A	INITIAL DESIGN	8/10/2015	MPC



1.7120



PROPRIETARY AND CONFIDENTIAL
 THE INFORMATION CONTAINED IN THIS DRAWING IS THE SOLE PROPERTY OF RAVEON TECHNOLOGIES. ANY REPRODUCTION IN PART OR AS A WHOLE WITHOUT THE WRITTEN PERMISSION OF RAVEON TECHNOLOGIES IS PROHIBITED.

INTERPRET GEOMETRIC TOLERANCING PER: ANSI Y14.5
 MATERIAL: FR4
 FINISH: N/A
 DO NOT SCALE DRAWING

UNLESS OTHERWISE SPECIFIED: DIMENSIONS ARE IN MILLIMETERS
 TOLERANCES:
 ANGULAR: MACH ± BEND ± 2°
 TWO PLACE DECIMAL ± .254
 THREE PLACE DECIMAL ± .127

NAME	DATE
MPC	
CHECKED	

Raveon Technologies
 Vista CA, 92081

TITLE:
 DAISY, LoRA, PCBA

SIZE B	DWG. NO. 5A917-1	REV A
------------------	---------------------	-----------------

SCALE: 2:1 WEIGHT: SHEET 1 OF 1