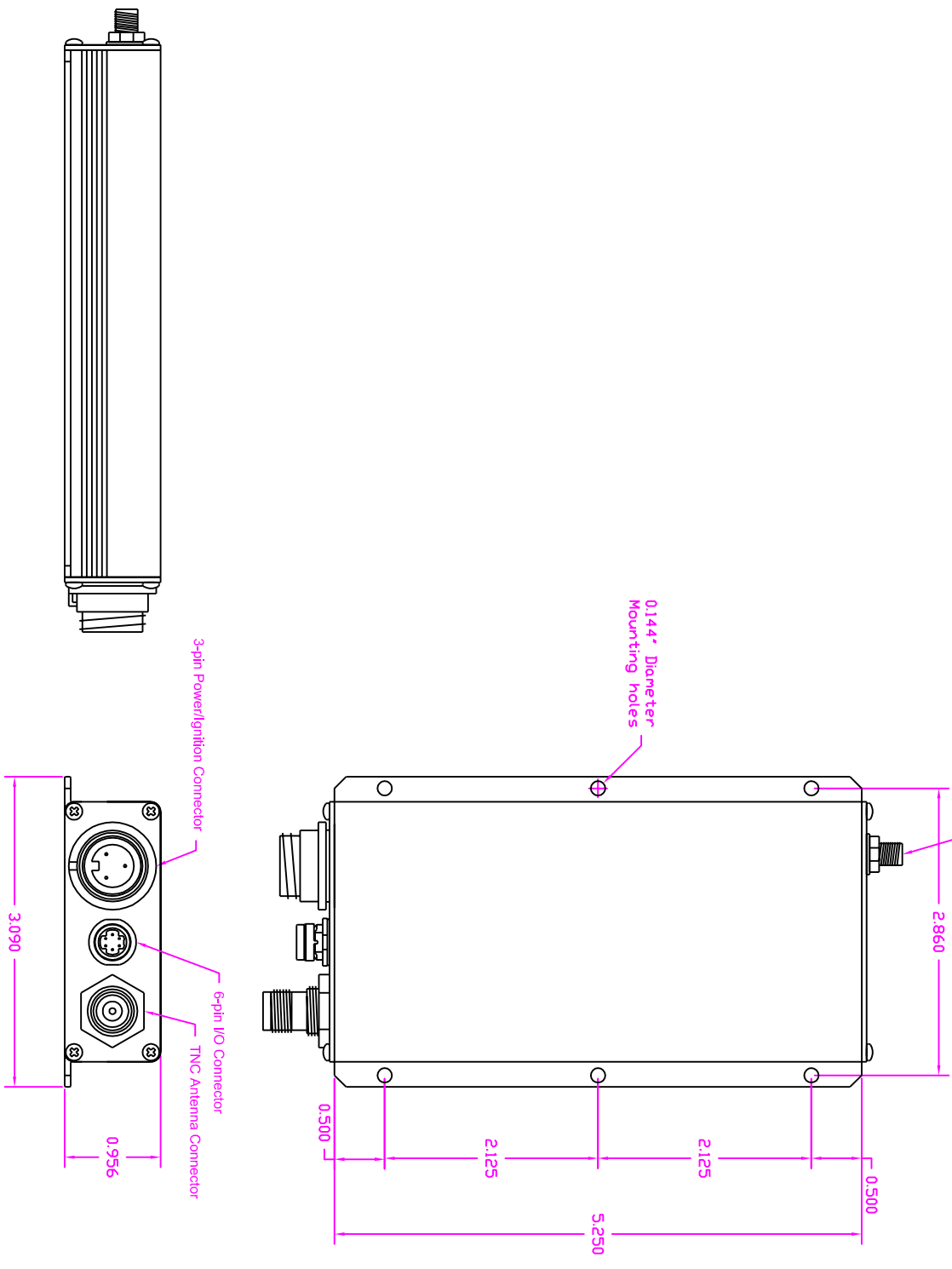


Notes: Unless otherwise specified

REVISIONS		DATE	APPROVED
ZONE	REV	DESCRIPTION	
A0		Initial Release	JS
		25 JAN 08	



Material:		Raveon Technologies Corp.	
Finish:		2780 La Milrada Drive Suite C	
Tolerance: XXX = ±0.007", X.XXX = ±0.005"		Visalia, CA 92081	
Drawn By: MDG		Weatherproof Stingray	
Checked By:		Modem, with GPS	
Approved By:		SIZE FSCM NO. DWG NO.	
		C 5A700-3	
SCALE 1:1		SHEET 1 of 1	
		REV A0	

4

3

2

1

A

B

C

D

A

B

C

D